



ABCOKOVEX
POWERFUL PACKAGING SOLUTIONS



Stretch Wrapper
CTT 200



CYKLOP
INTERNATIONAL

100 YEARS
1912/2012

Abco Kovex | Swords Business Park | Swords | Dublin | K67 C6A0

T +353 1 807 7600

F +353 1 807 7650

E sales@abcokovex.com

To see our full range of products go to
www.abcokovex.com

Stretch Wrapper CTT 200

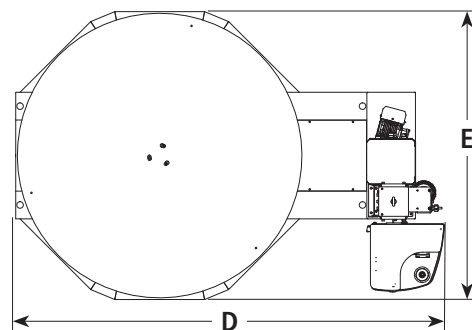
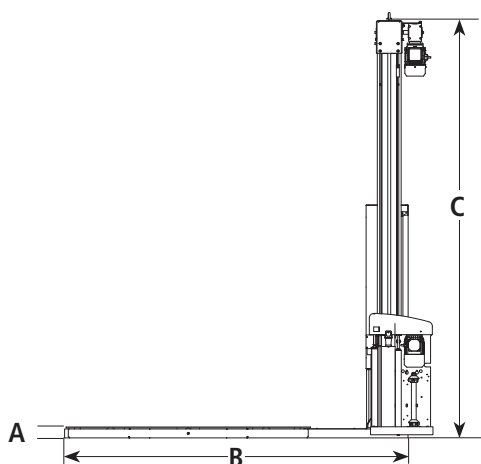
Designed for low volume users and for pre stretched films. Wraps irregular shaped loads. Uses forklift/palletjack to load stretch wrapper. Operator starts wrap cycle at machine. Operator manually cuts/attaches film.

These properties guarantee good load securement and transport packaging.



Standard machine specification and dimensions

Machine	Table diam	Ø1650 mm
	Speed	Up to 12 rpm adjustable
	Start / stop	Frequency controlled
	Bottom/ top wraps	1–7 (Prog 3, 2-14)
	Film carriage speed	Variable speed
	Film tension	Adjustable friction brake
	Stretch wrapping programs	5 standard
	Controller	PLC
Power	Supply	Single phase 240V 50 Hz
	Protection	IP54
	Loading	10 A
Pallet Goods	Max size (length x width)	1200 x 1000 mm
	Max. goods height incl. pallet:	2200 mm
	Permitted load weight	2000 Kg
Stretch Film	Core diameter	76 mm
	Outer diameter, max	250 mm
	Film width, max	500 mm
	Film thickness	9-35 my



Dim (mm)	A	B	C	D	E
Standard	73	2305	2800	2475	1660

Weight, standard: 380 kg (Weight can vary depending on options). Crated dimensions: L2900 x H750 x W1700 mm, weight: 550 kg.

WWW.CYKLOPTEKNIK.SE