

Lantech®

Q Automatic

Conveyorized Stretch
Wrapping System

Productivity
Providing creative solutions to help
customers increase productivity.



Unlimited Cycles
No Exclusions

Operator-Friendly Design

- No trip hazards or pinch points.
- Easy to navigate touch screen.
- Clear access to load film.
- Fully guarded film roll carriage.

Efficient Load Handling

- Wraps 45-60 loads per hour.
- Industrial duty conveyor, closed-space rollers, 1814 Kg capacity.
- Options available to custom build to meet specific needs.
- Eliminate forklift jams.

Note: Shown without
safety fencing.

Q Automatic



ABCOKOVEX
POWERFUL PACKAGING SOLUTIONS

T +353.1.807 7600

F +353 1 807 7650

E sales@abcokovex.com

To see our full range of products go to
www.abcokovex.com

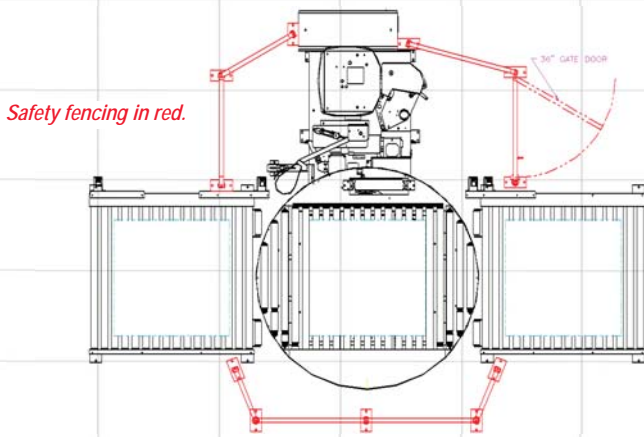
Q Automatic

Clean Design

- Motors, wires, belts enclosed.
- No trip, burn or pinch hazards.

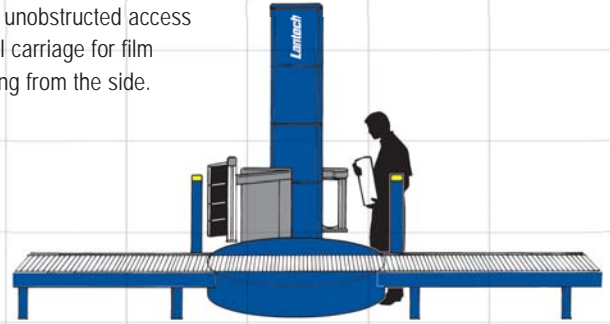
Transition Photocells / System Guarding

- Transition photocells mounted on either side of the turntable for easy access.
- If photocell beam is broken during the wrap cycle, the machine will immediately shut down.
- Complete system guarding and safety signage standard on all models.



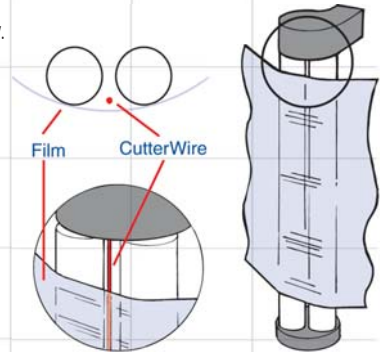
Safe, Convenient Film Loading

- Safe, unobstructed access to roll carriage for film loading from the side.



"Touchless" Film Cutting System

- Cutter wire safely guarded and hot only when necessary.
- Length of time for heated impulse is adjustable for film thickness and ambient temperature.
- Cutter wire does not come into contact with film, eliminates film build-up on wire for a clean, consistent cut.



Q Automatic Specifications

PERFORMANCE CRITERIA

- Production Speed based on 60" load height: 2 film layers and 10 revolutions: 45 loads per hour
- Maximum Load Size: 1371mm W x 1219mm L x 2336mm H
- Minimum Load Size: 914mm W x 914mm L x 609mm H
- Maximum Load Weight: 1814 Kg

LOAD HANDLING SYSTEM

- Turntable Drive: 1 HP TEFC Motor
- Turntable Speed: 1-12 RPM

FILM DELIVERY SYSTEM

- Power Roller-Stretch® System: 200% Standard 100-300% Available
- Wrapping Force: Electronic Control
- Film Capacity: 10" Roll Diameter, 20" Film Web Width
- Film Cut System: Reach™ Arm with impulsed hot wire film cutter

MACHINE SHIPPING WEIGHT

- Shipping Weight (including skid - approximate): 3288 Kg (includes 1524mm infeed and 1524mm exit conveyor)

ELECTRICAL REQUIREMENTS

- Machine Voltage: 460V
- System Logic: PLC/Touchscreen
- Control Panel: NEMA 12-enclosure with disconnect and safety lock-out

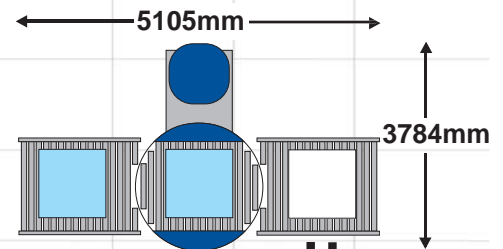
PNEUMATIC DATA

- Air requirements: 3-5 CFM @ 80 psi clean, dry air

Lan-Logix™



The Lan-Logix interface leads the industry to boost productivity by eliminating the need for costly software and hardware to make minor program changes. Included are multiple wrap patterns, precise wrap pattern control, password protection, and extensive efficiency data capture.



Note: Side loading may require additional conveyor.

Specifications subject to change without notice. Lantech systems and sub-systems are protected by U.S. and foreign patents. Additional U.S. and foreign patents pending. © Lantech.com 2011



ABCO KOVEX
POWERFUL PACKAGING SOLUTIONS

T +353.1.807 7600

F +353 1 807 7650

E sales@abcokovex.com

To see our full range of products go to
www.abcokovex.com